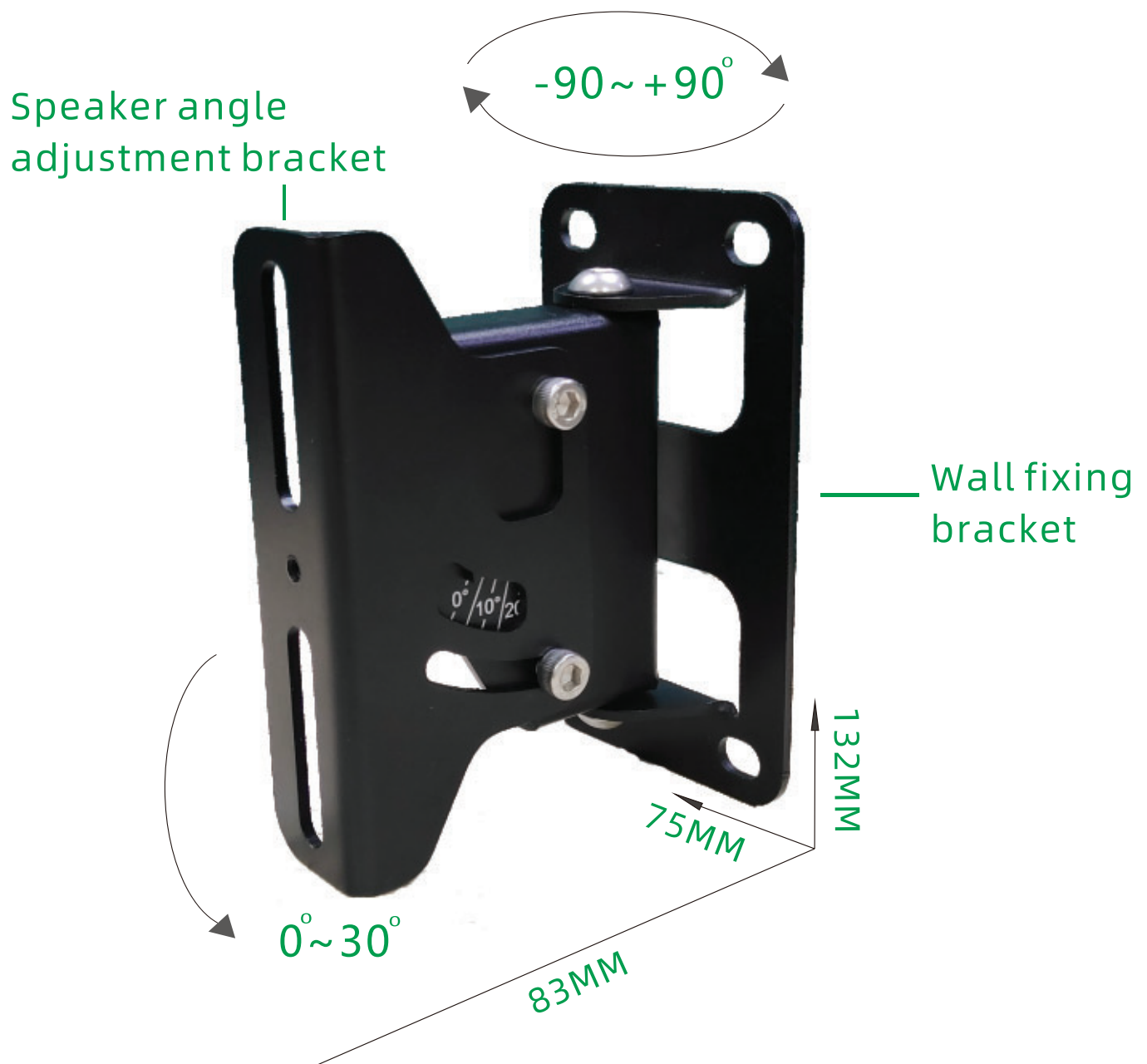


SPEAKER Wall mount stands

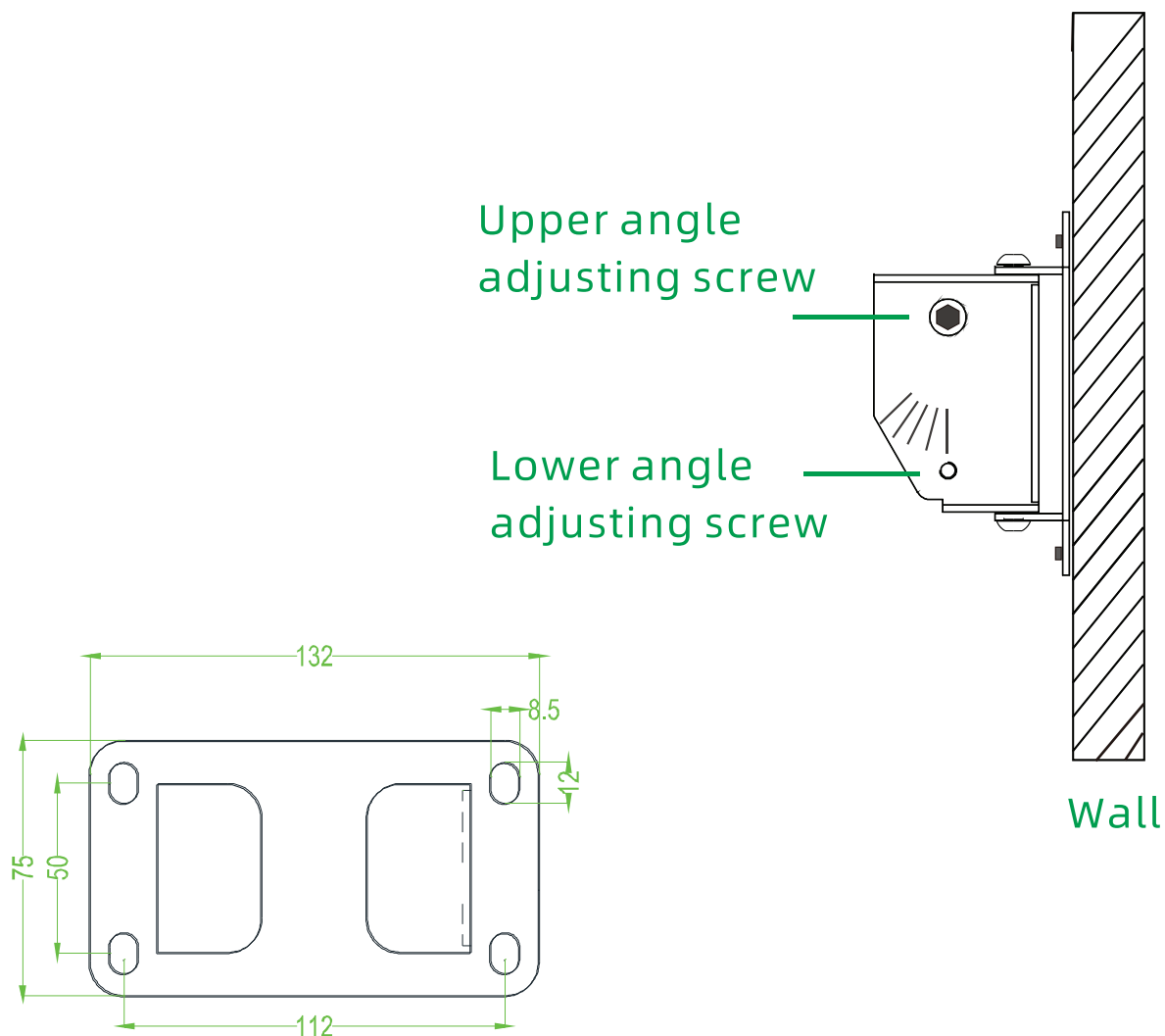


Maximum bearing: 20KG
Horizontal angle: $-90^{\circ} \sim +90^{\circ}$
Vertical angle: $0^{\circ} \sim +30^{\circ}$
Distance from wall: 83MM (maximum)

Installation step 1:

Install the wall mounting bracket to the wall

1. Draw the drilling position on the wall according to the four hole sizes of the wall mounting bracket.
2. The drilling diameter is 10MM, and the drilling depth is 40MM.
3. Insert M6 * 40 built-in expansion screw.
4. Install the wall mounting bracket on the wall, and tighten 4 fixing screws.
5. Screw 1 speaker angle adjusting screw to the upper part (do not screw it to the bottom) to prepare for hanging the speaker.

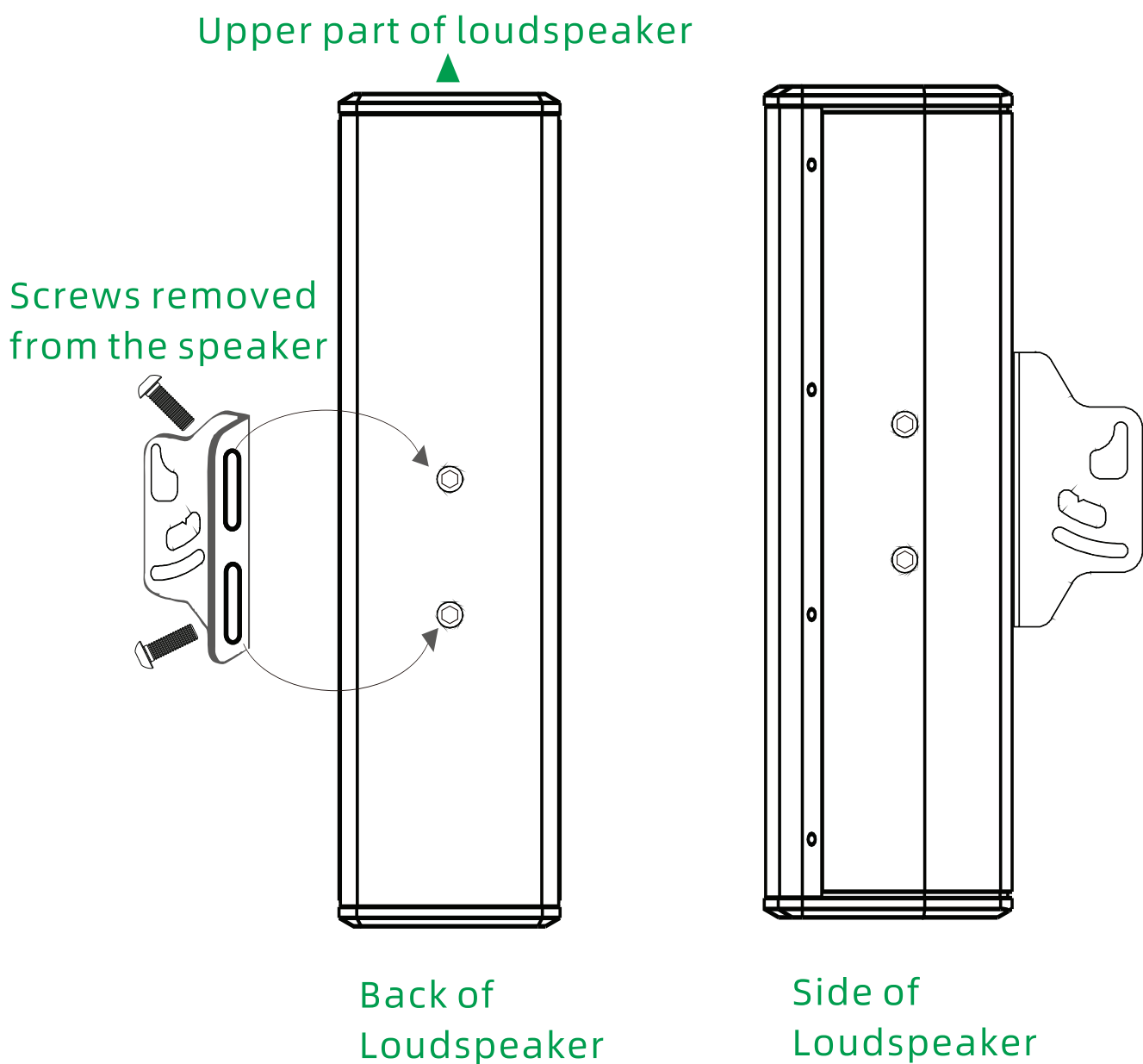


Hole size drawing of wall fixing frame (unit: mm)

Installation step 2:

Install the angle adjustment bracket onto the loudspeaker

1. Remove two screws from the speaker bracket hole.
2. Use the two removed screws to install the speaker angle adjustment bracket onto the speaker. Tighten the screws to prevent the speaker from falling off.



Installation step 3:

Install the loudspeaker onto the fixing bracket

1. Hang the speaker angle adjusting bracket installed on the speaker onto the upper angle adjusting screw.
2. Screw in the lower angle adjusting screw, adjust the vertical angle of the speaker, and tighten the screw.
3. Tighten the upper angle adjusting screw.
4. Adjust the horizontal angle of the speaker and tighten the upper and lower horizontal angle screws.
5. Installation is completed.

